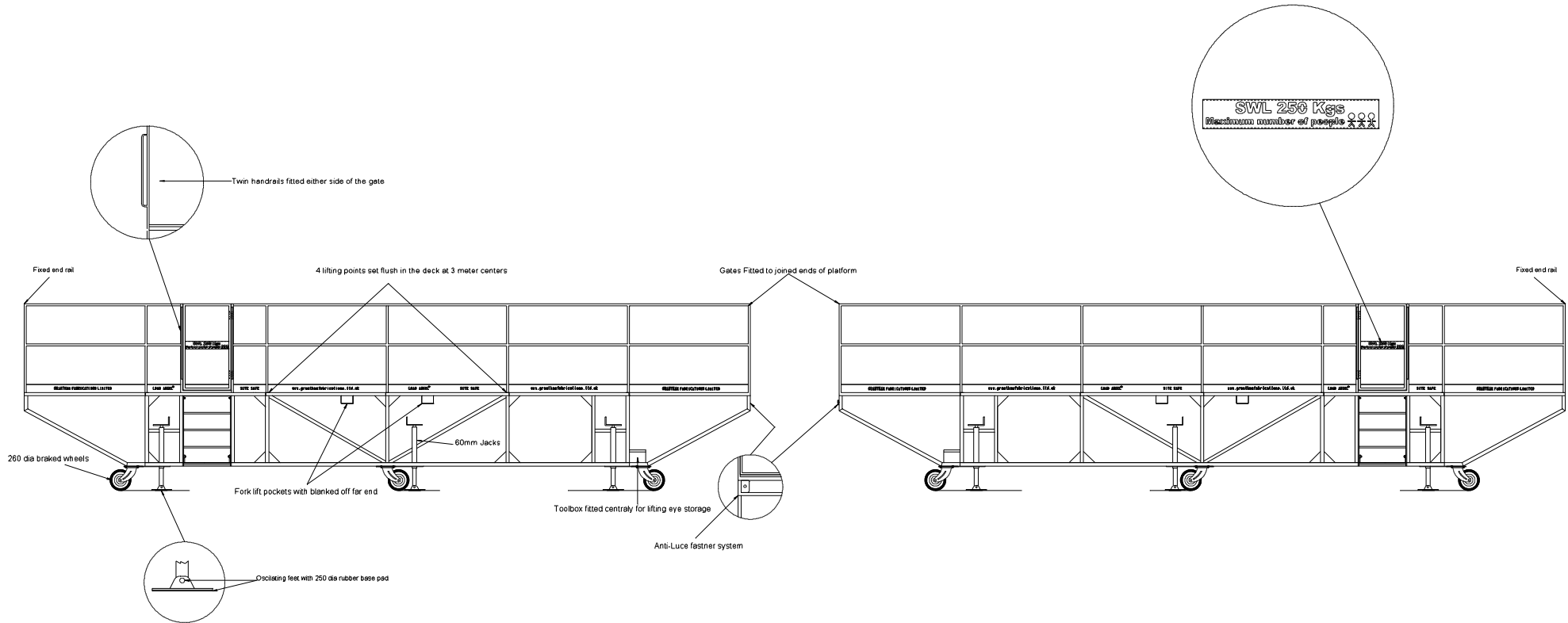


Do Not scale

30ft Site Safe Platforms



Grantham Fabrications Ltd

30ft (9 Meter) Site Safe
Load Angel Configuration

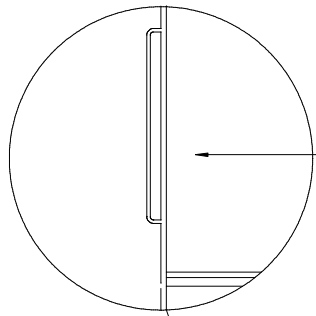
Drawn: GCW
Date: 28.03.11

Venture Way, Grantham, Lincs. NG31 7XS
Tel: +44(0) 1476 577 037
Fax: +44(0) 1476 576 967
www.granthamfabrications.ltd.uk

Note:
The drawing shown is a "sales drawing"
indicating the elements requested by the customer
it may not exactly represent the finished engineering
build drawing and therefore the finished product
may differ slightly.

Do Not scale

30ft Site Safe Platform



Twin handrails fitted either side of the gate

Access gate

9000.0

4 lifting points set flush in the deck

SS001L 200x80 12ga
Maximum Number of Panels 22

Open steel flooring

GRANTHAM FABRICATIONS LIMITED

LOAD ANGEL®

SITE SAFE

www.granthamfabrications.ltd.uk

LOAD ANGEL®

SITE SAFE

www.granthamfabrications.ltd.uk

GRANTHAM FABRICATIONS LIMITED

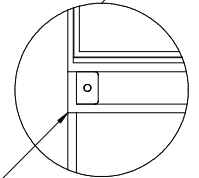
Fork lift pockets

Male Anti-luce fastner

260 dia braked wheels

Side access ladder

Heavy duty adjustable jacks



Anti-Luce fastner system and partition gates fitted when two platforms are to be used together

Grantham Fabrications Ltd

Drawn: gcw

Date: 28.03.11

30 ft (9 Meter) Site Safe
Load Angel

Venture Way, Grantham, Lincs. NG31 7XS

Tel: +44(0) 1476 577 037

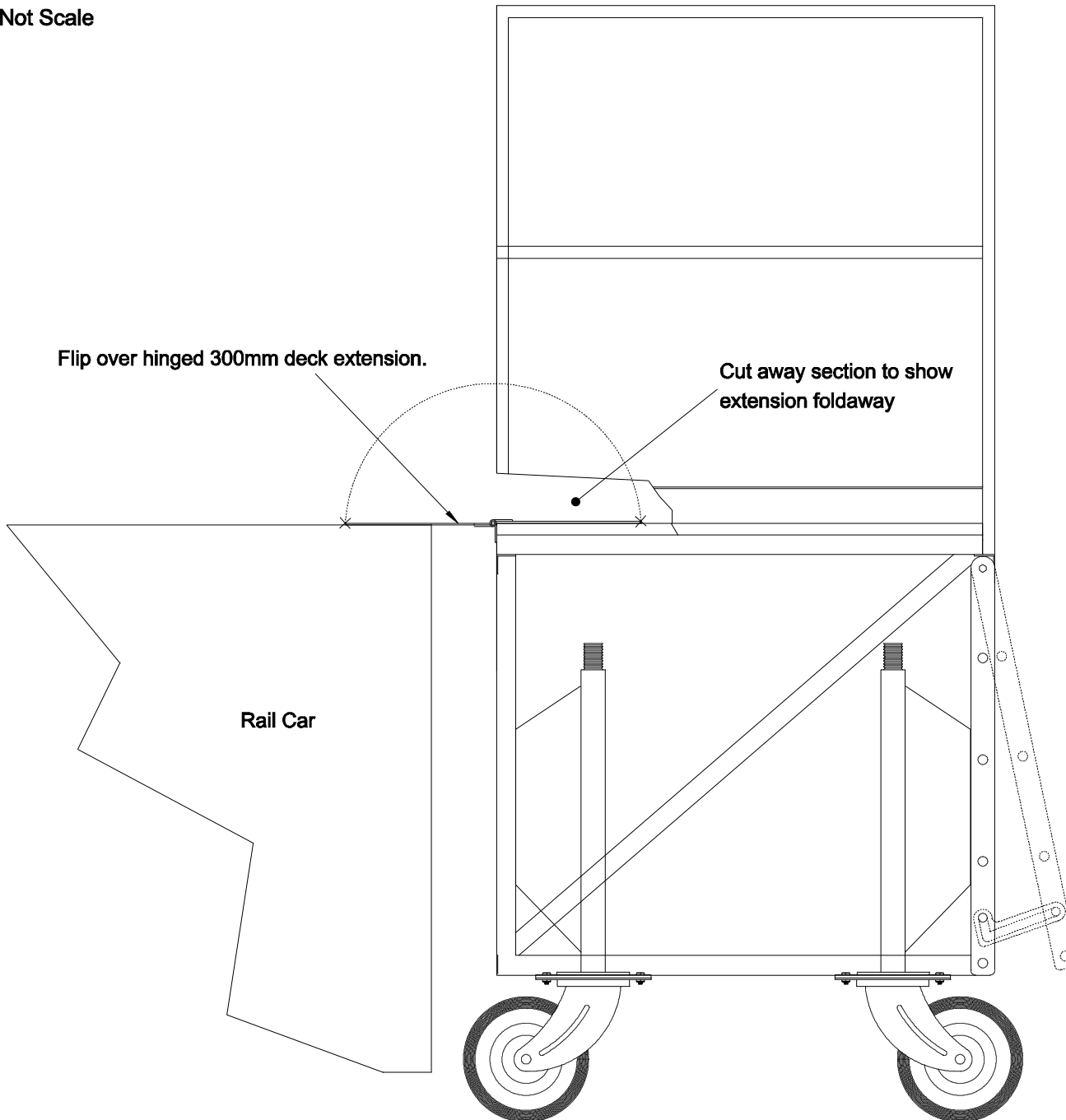
Fax: +44(0) 1476 576 967

www.granthamfabrications.ltd.uk

Note:
The drawing shown is a "sales drawing" indicating the elements requested by the customer it may not exactly represent the finished engineering build drawing and therefore the finished product may differ slightly.

Do Not Scale

Proposed Balfour Beatty **30ft Site Safe Platform**

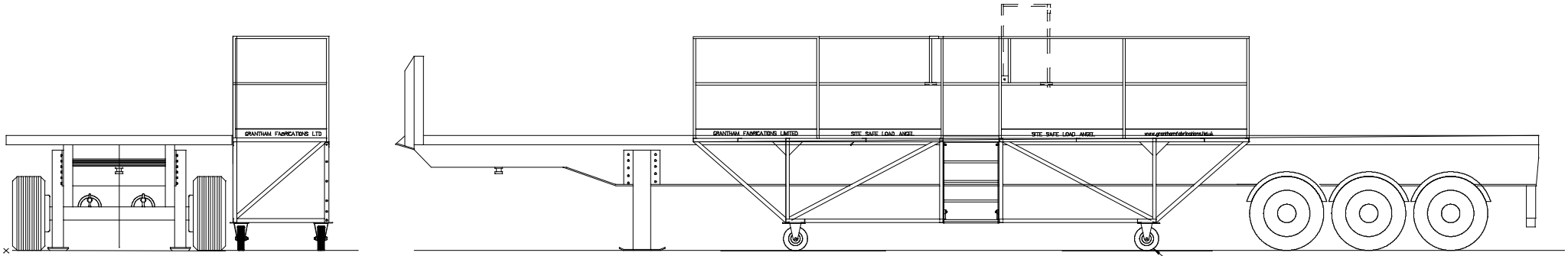


Grantham Fabrications Ltd

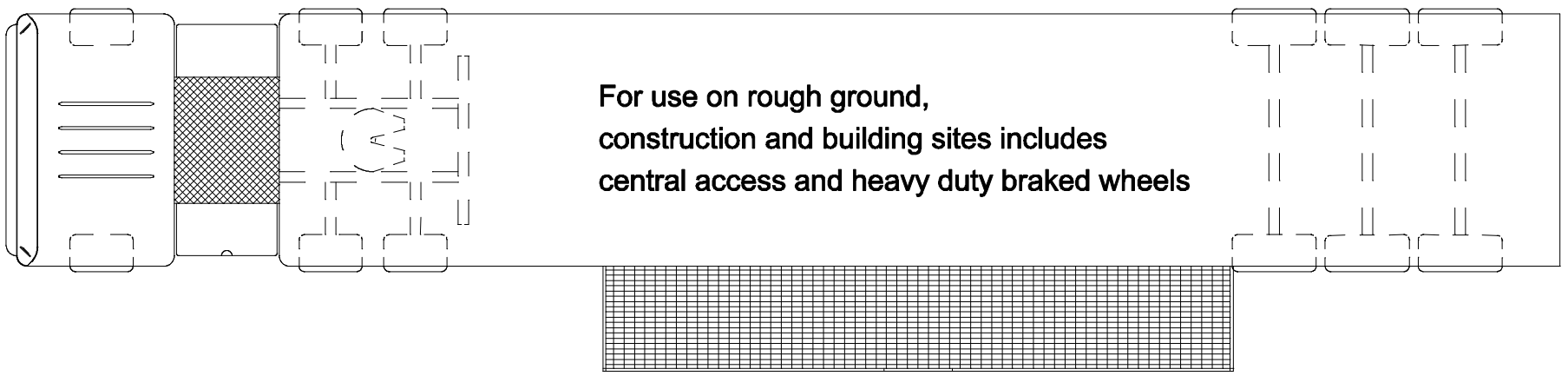
30 ft (9 Meter) Site Safe
Load Angel
End Elevation

Drawn:	gcw
Date:	1.11.10
Ventre Way, Grantham, Lincs. NG31 7XS	
Tel: +44(0)1476 577 037	
Fax: +44(0)1476 576 987	
www.granthamfabrications.ltd.uk	

SITE SAFE SYSTEM



Heavy Duty 260 Dia Pneumatic Castors



6 Meter Platform